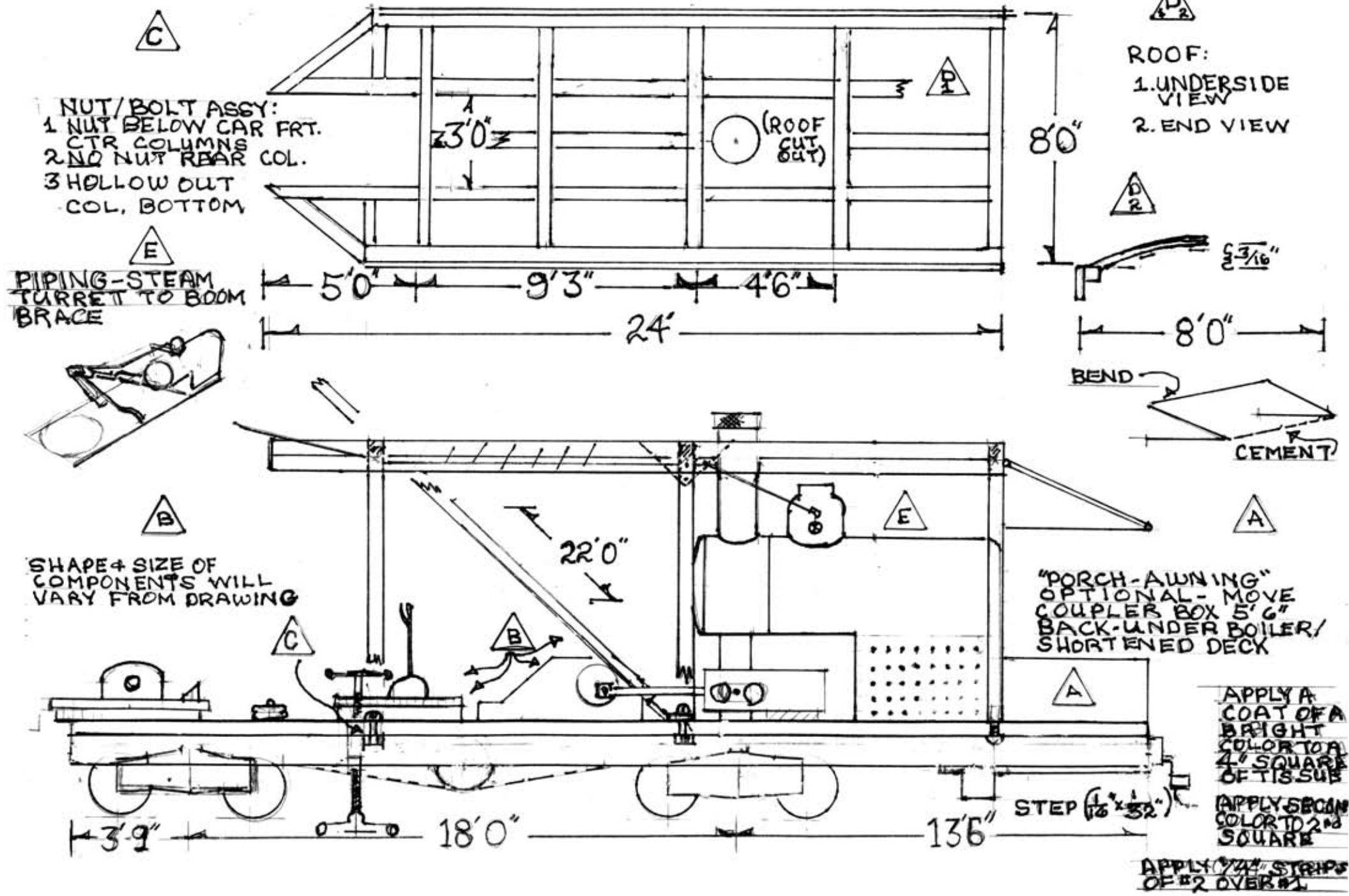


1/4" = 1'0" MADE MARION 4/07

PLATE 1



APPLY A COAT OF A BRIGHT COLOR TO A 4" SQUARE OF TISSUE
 APPLY SECOND COLOR TO 2" SQUARE

APPLY 1/4" STEPS OF #2 OVER #1