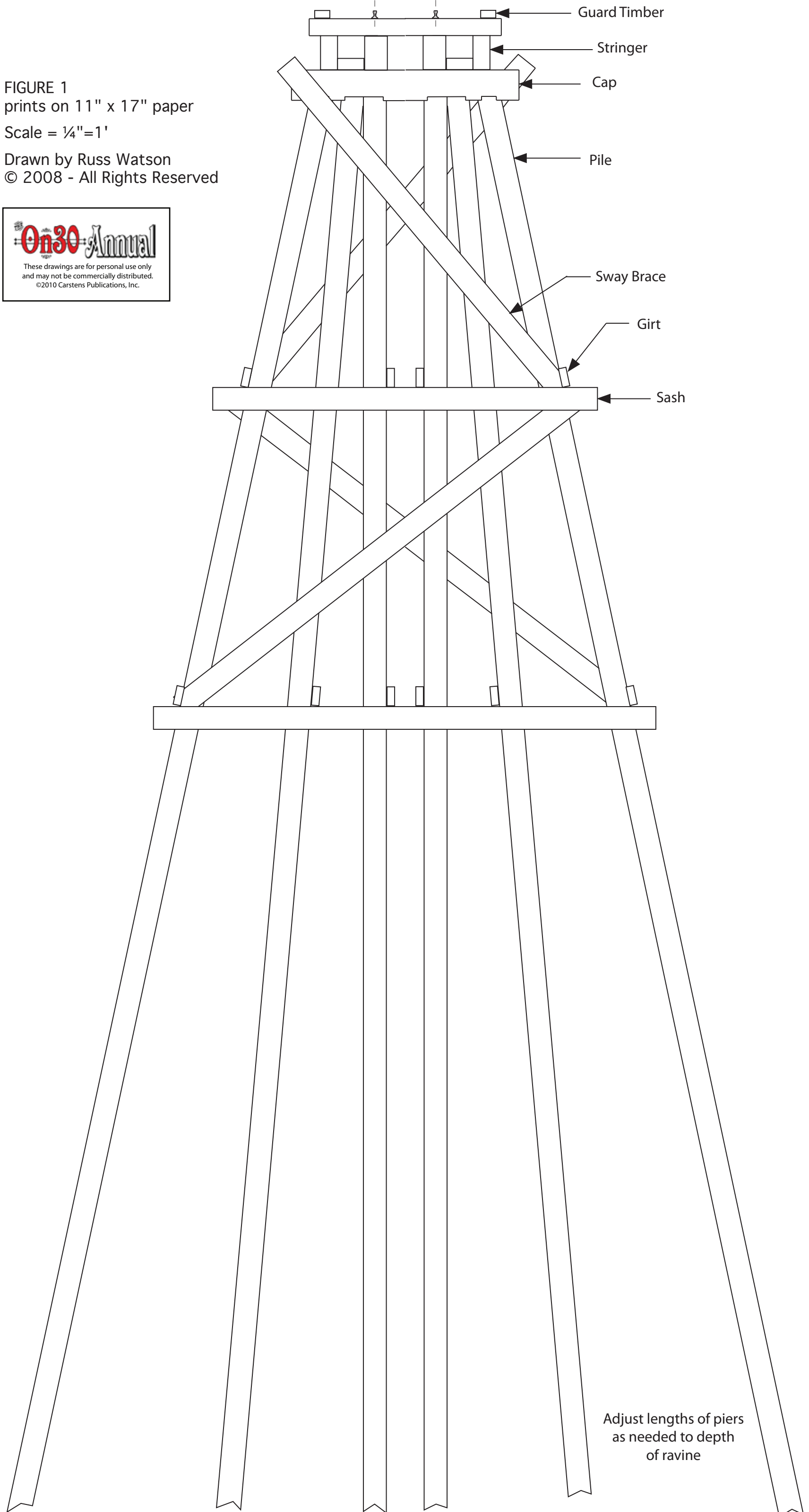


FIGURE 1
prints on 11" x 17" paper

Scale = 1/4"=1'

Drawn by Russ Watson
© 2008 - All Rights Reserved



Adjust lengths of piers
as needed to depth
of ravine