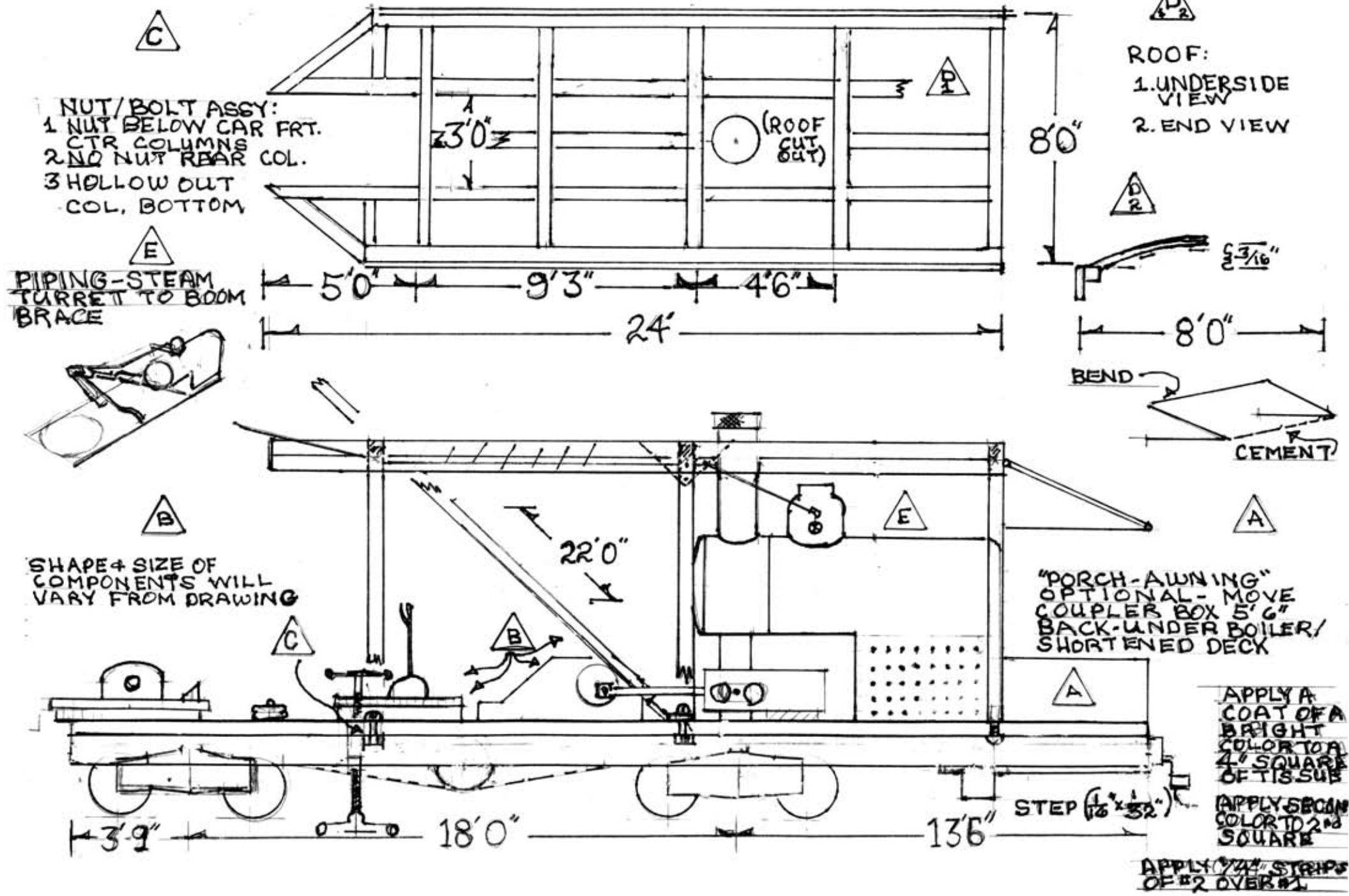


1/4" = 1'0" MADE MARION 4/07

PLATE 1



NUT/BOLT ASSY:  
 1 NUT BELOW CAR FRT.  
 CTR. COLUMNS  
 2 NO NUT REAR COL.  
 3 HOLLOW OUT  
 COL. BOTTOM

PIPING-STEAM  
 TURRET TO BOOM  
 BRACE

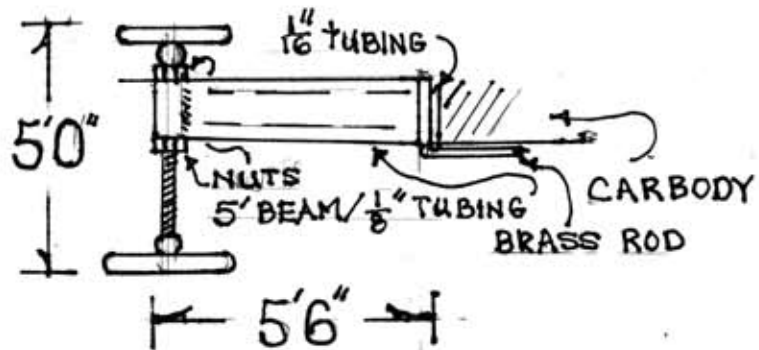
ROOF:  
 1. UNDERSIDE  
 VIEW  
 2. END VIEW

SHAPE & SIZE OF  
 COMPONENTS WILL  
 VARY FROM DRAWING

"PORCH-AWNING"  
 OPTIONAL - MOVE  
 COUPLER BOX 5' 6"  
 BACK UNDER BOILER/  
 SHORTENED DECK

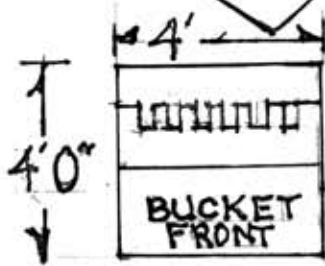
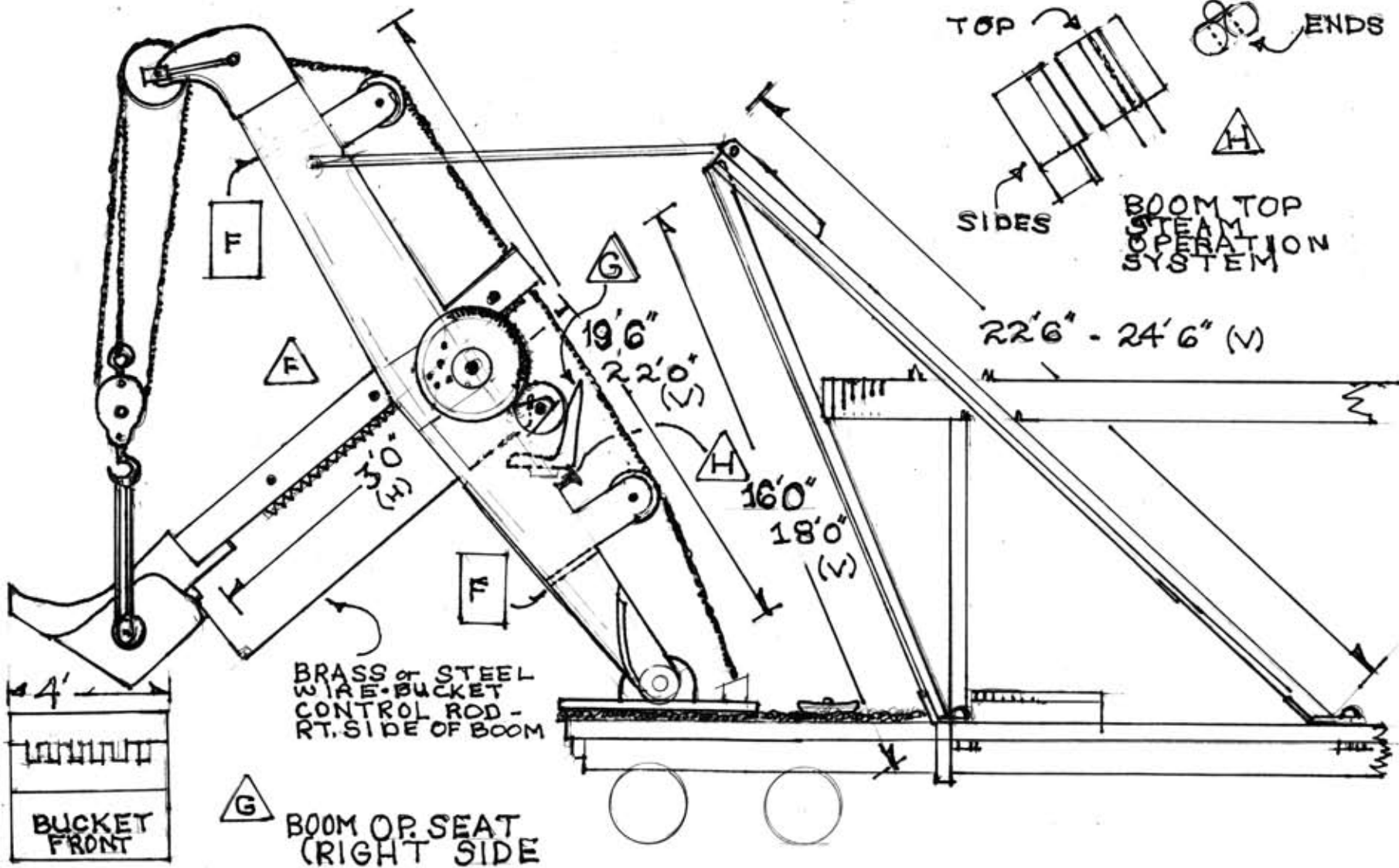
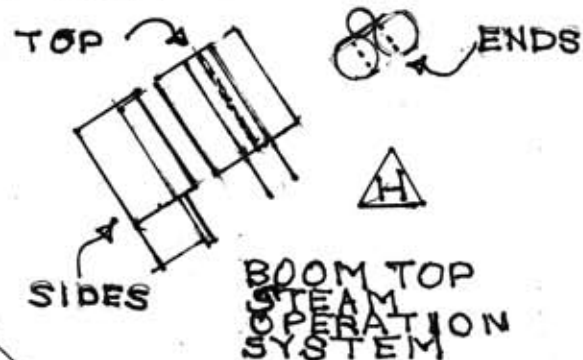
APPLY A  
 COAT OF A  
 BRIGHT  
 COLOR TO A  
 4' SQUARE  
 OF TISSUE  
 APPLY SECOR  
 COLOR TO 2'  
 SQUARE

APPLY 1/2" STEPS  
 OF #2 OVER #1



1/4" = 1' 0" "MADE" MARION PLATE 2  
4/07

INTERNAL BRACES  
INSIDE BOOM



BRASS or STEEL  
WIRE-BUCKET  
CONTROL ROD -  
RT. SIDE OF BOOM

BOOM OR SEAT  
(RIGHT SIDE)

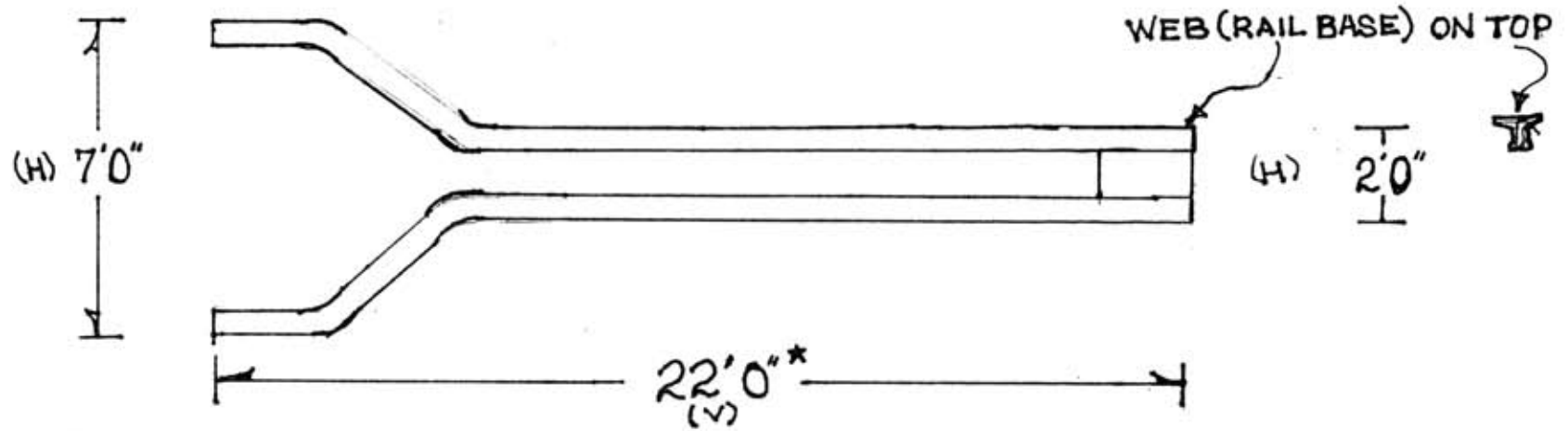
$\frac{1}{4}'' = 1'0''$  "MADE" MARION

PLATE 3

4/07

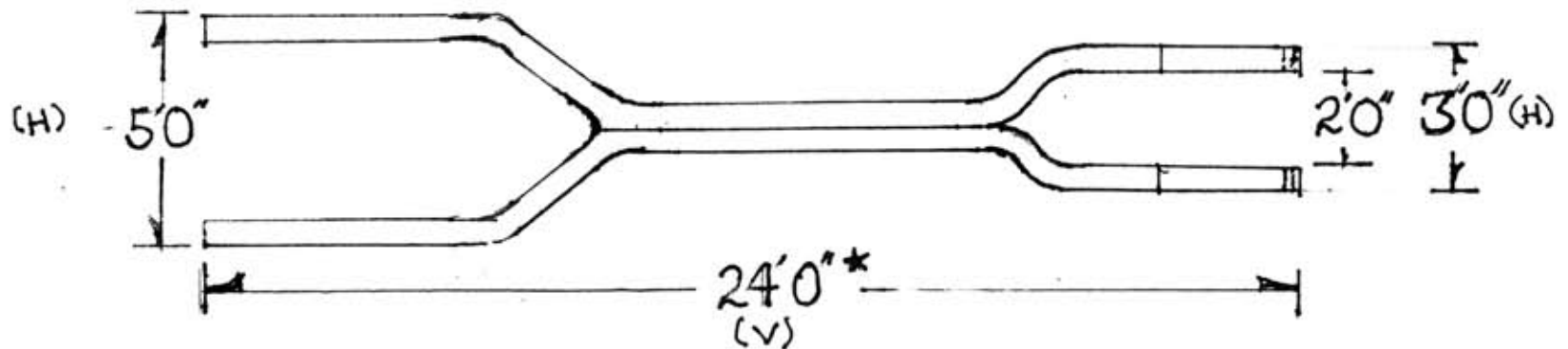
★ IMPORTANT:

VERTICAL DIMENSIONS (V) ARE  
OVERSIZE - CUT PARTS TO DIMENSIONS  
SHOWN - ASSEMBLE - CUT DOWN AS  
NECESSARY - HORIZONTAL DIMENSIONS (H)  
MAY BE USED AS GIVEN



FRONT BRACE

FRONT →



REAR BRACE