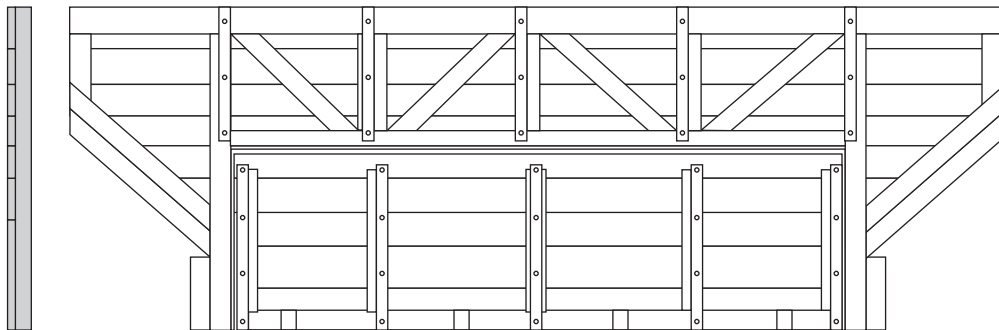
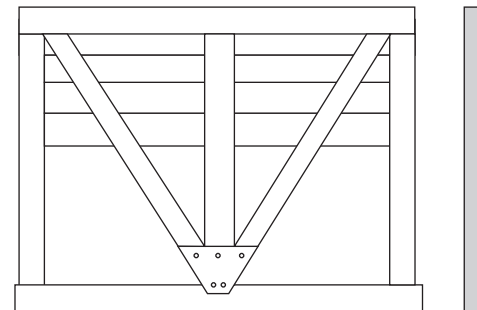


Check Bar - This should print at exactly 10"

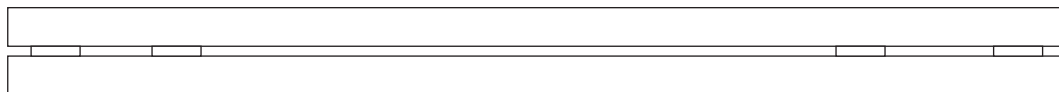


Side & Door (Make 1 of Each)

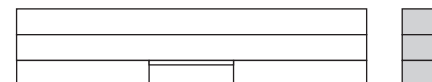


End (Make 1)

Center Beam (Make 1)



Lateral Bolster Beam (Make 2)



Corner Braces (Make 4 of Each)



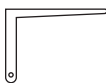
Knee Brace Support (Make 6)



End Slope Support (Make 4)



Spacer Beam (Make 4)



Latch Arm (Make 2)



Door Dog (Make 8)



End Support (Make 2)



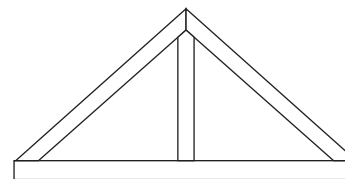
Intermediate Support (Make 8)



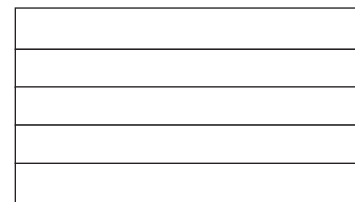
Bolster Wedge (Make 2 of Each)



Center Slope Sheet (Make 2)



Slope Sheet Support (Make 5)



End Slope Sheet (Make 2)

**On30 Annual**

These drawings are for personal use only and may not be commercially distributed.  
©2010 Carstens Publications, Inc.

All Items Drawn Full Size for On30

Item Cross Section shown in gray

Drawn for the On30 Annual By Samuel Swanson

© 2008 - All Rights Reserved