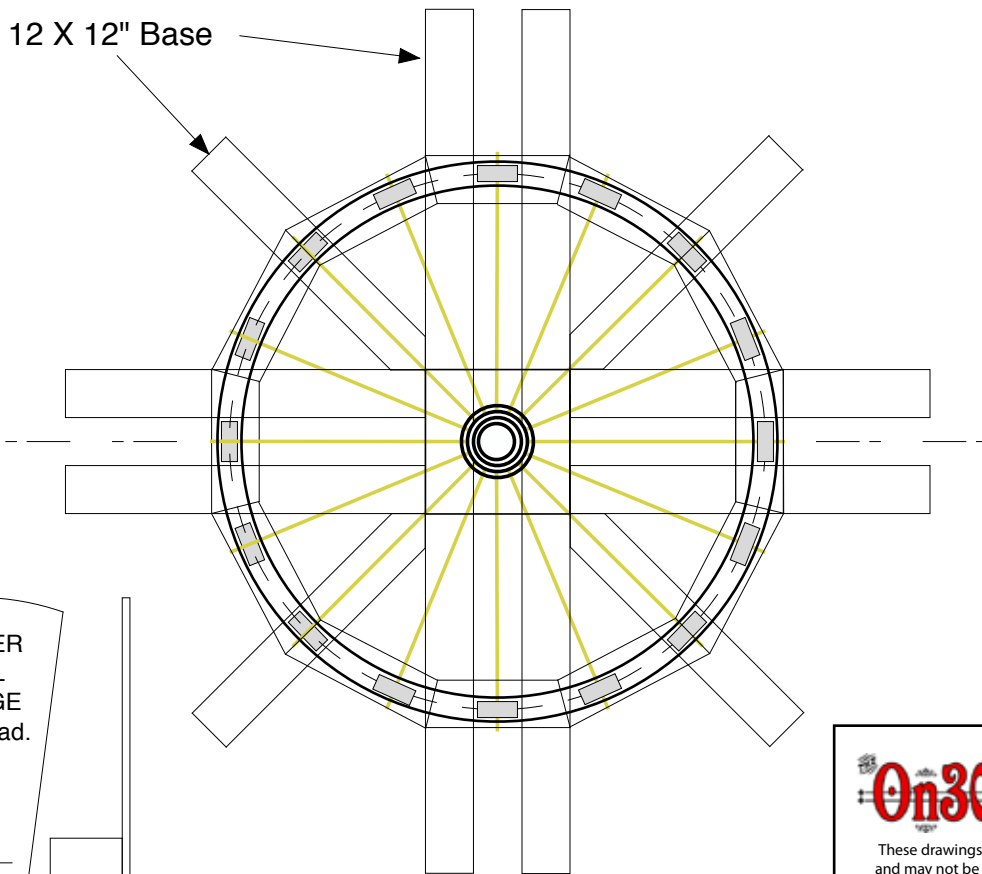
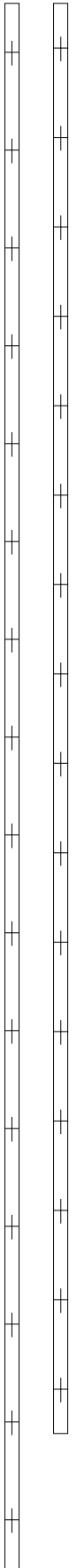


CENTER TUBE, BEARING AND HUB ARRANGEMENT



SPIDER WHEEL ASSEMBLY

HOLE MARKING TEMPLATES



On30 Annual
 These drawings are for personal use only and may not be commercially distributed.
 ©2010 Carstens Publications, Inc.

FIGURE 1
SCALE: 1/4" = 1'
 © Russ Watson 2009